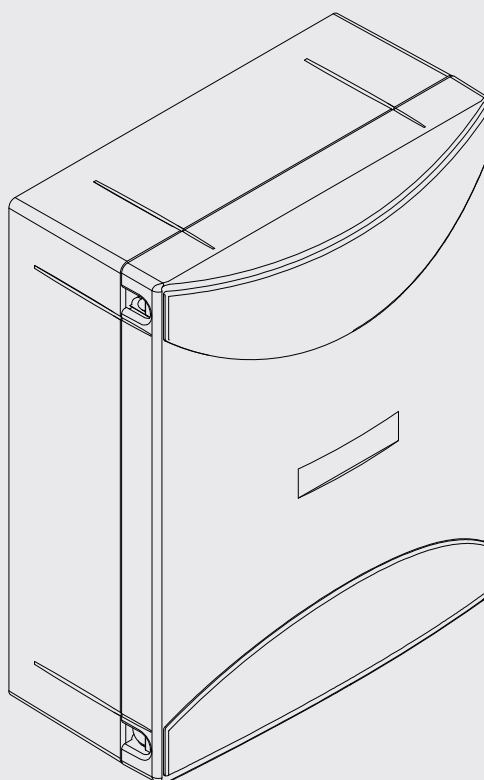


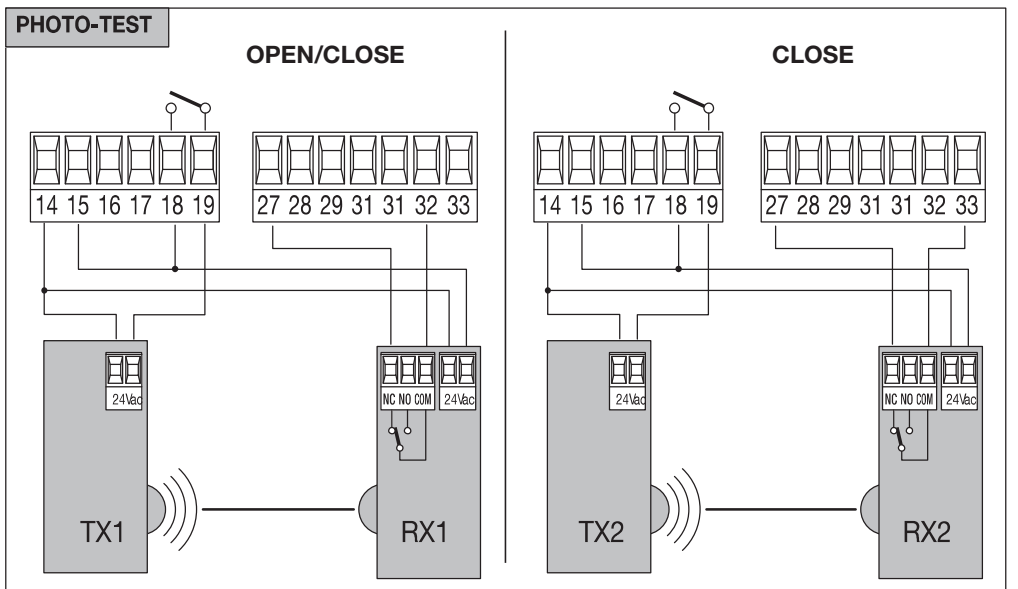
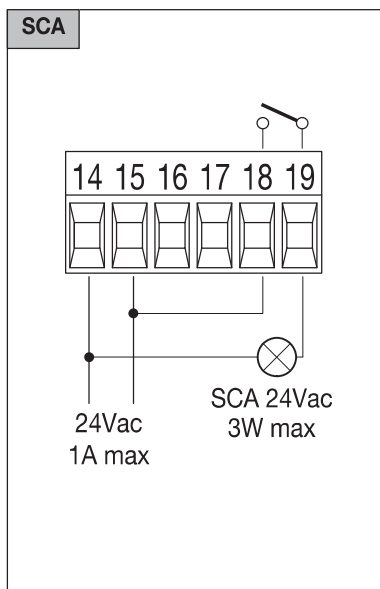
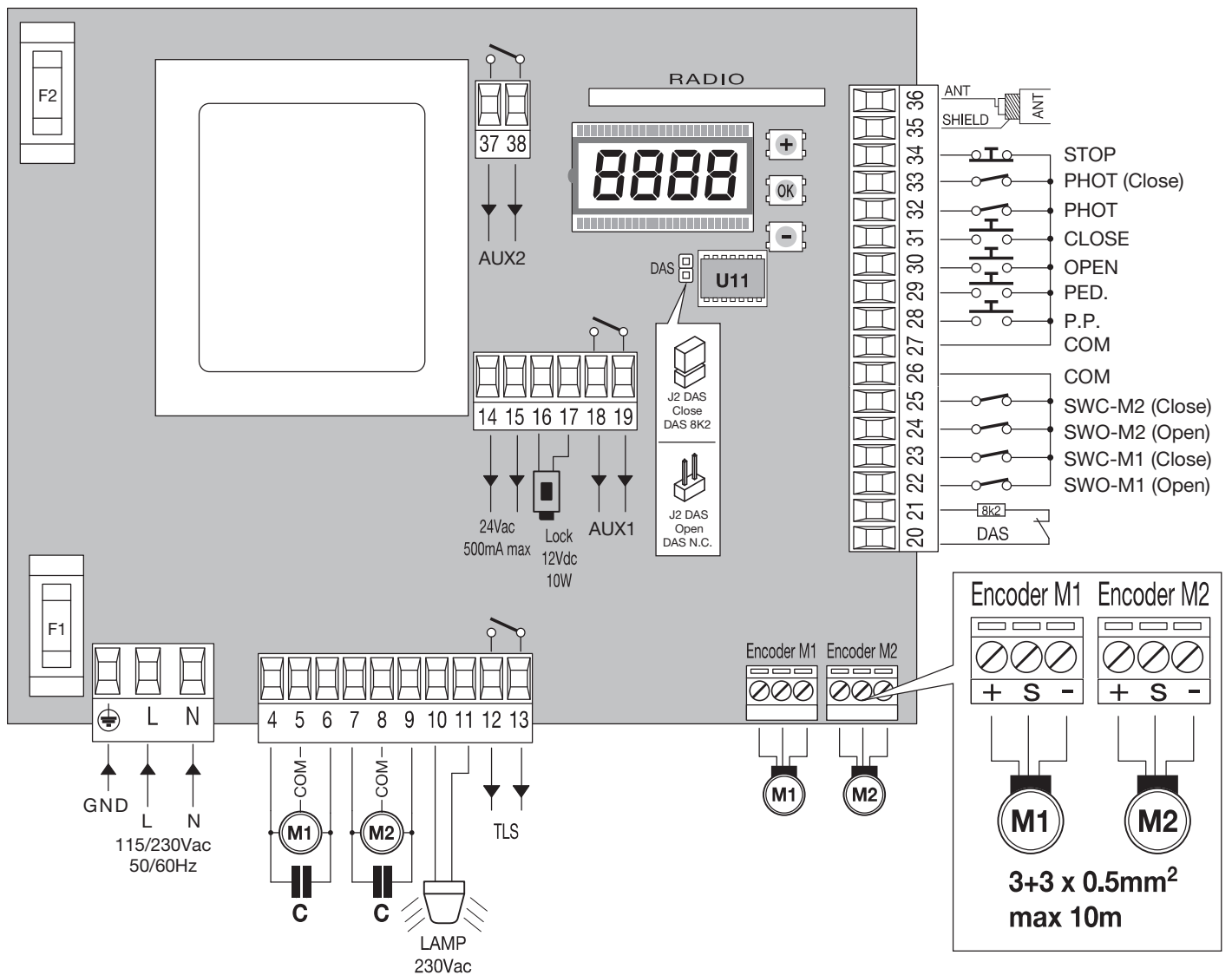
BRAINY



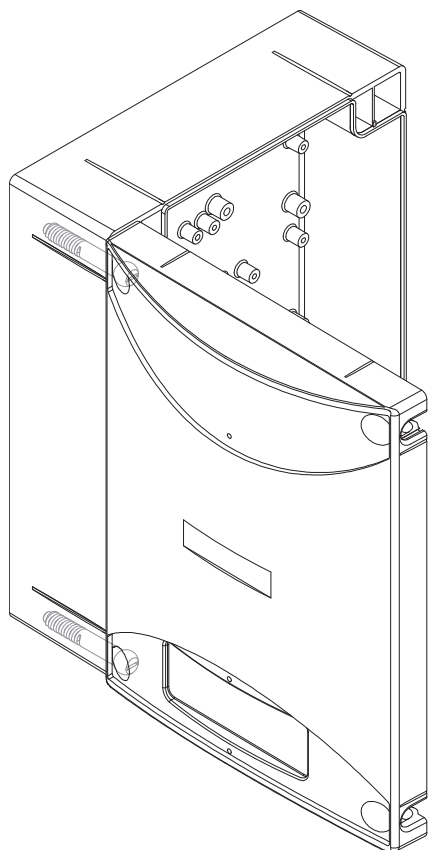
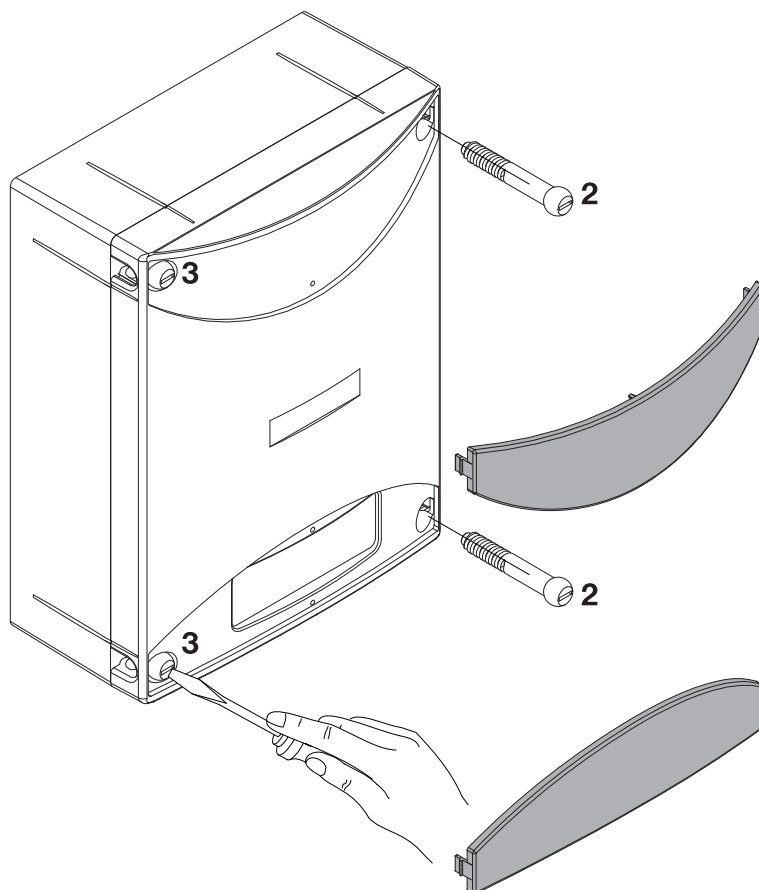
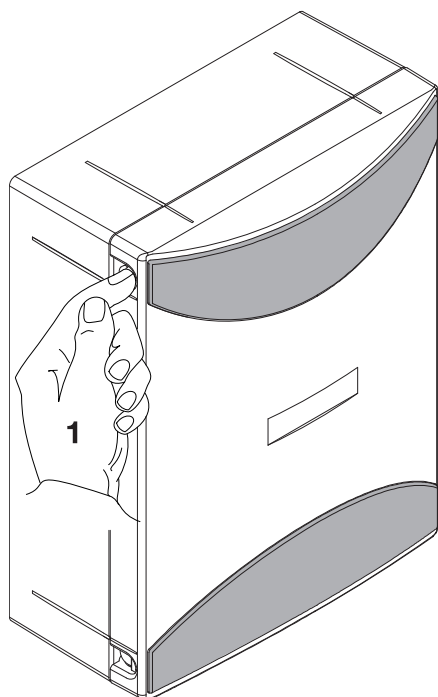
BENINCA[®]
TECHNOLOGY TO OPEN



Fig. 1 BRAINY



Code



- 1 Premere le alette sui fianchi per sganciare le due maschere copriviti.
- 2 Rimuovere le due viti sul lato di apertura desiderato.
- 3 Allentare le due viti con funzione di cerniera senza rimuoverle, in modo da consentire l'apertura del coperchio.

- 1 Presser les deux ailettes latérales pour décrocher les deux cache-vis.
- 2 Enlever les deux vis sur le côté d'ouverture désiré.
- 3 Desserrer les deux vis faisant fonction de charnière sans les enlever, de manière à permettre l'ouverture du couvercle.

- 1 Press the tabs on the sides to release the two masks that cover the screws.
- 2 Remove the two screws on the desired opening side.
- 3 Slacken the two screws that act as a hinge without removing them, so as to allow opening of the cover.

- 1 Presionar las aletas en los lados para desenganchar las dos tapas cubretornillos.
- 2 Extraer los dos tornillos del lado de apertura deseado.
- 3 Aflojar los dos tornillos con función de bisagra sin extraerlos, a fin de poder abrir la tapa.

- 1 Auf die seitlichen Laschen drücken, so dass die beiden Schraubenblenden befreit werden.
- 2 Die beiden Schrauben an der gewünschten Öffnungsseite ausbauen.
- 3 Zuletzt die beiden als Scharnier dienenden Schrauben lockern, aber nicht ausbauen, damit der Deckel geöffnet werden kann.

- 1 Nacisnąć boczne kłapki w celu odhaczenia dwóch masek nakrywających śruby.
- 2 Wyciągnąć dwie śruby po wybranej od otwierania stronie.
- 3 Poluzować dwie śruby blokujące bez wyciągania ich, w sposób umożliwiający otwarcie nakrywki.



The product shall not be used for purposes or in ways other than those for which the product is intended for and as described in this manual. Incorrect uses can damage the product and cause injuries and damages.

The company shall not be deemed responsible for the non-compliance with a good manufacture technique of gates as well as for any deformation, which might occur during use.

Keep this manual for further use.



This manual has been especially written to be use by qualified fitters.

Installation must be carried out by qualified personnel (professional installer, according to EN 12635), in compliance with Good Practice and current code.

Make sure that the structure of the gate is suitable for automation.

The installer must supply all information on the automatic, manual and emergency operation of the automatic system and supply the end user with instructions for use.



Packaging must be kept out of reach of children, as it can be hazardous. For disposal, packaging must be divided the various types of waste (e.g. carton board, polystyrene) in compliance with regulations in force.

Do not allow children to play with the fixed control devices of the product. Keep the remote controls out of reach of children.

This product is not to be used by persons (including children) with reduced physical, sensory or mental capacity, or who are unfamiliar with such equipment, unless under the supervision of or following training by persons responsible for their safety.

Apply all safety devices (photocells, safety edges, etc.) required to keep the area free of impact, crushing, dragging and shearing hazard. Bear in mind the standards and directives in force, Good Practice criteria, intended use, the installation environment, the operating logic of the system and forces generated by the automated system.

Installation must be carried out using safety devices and controls that meet standards EN 12978 and EN 12453.

Only use original accessories and spare parts, use of non-original spare parts will cause the warranty planned to cover the products to become null and void.

All the mechanical and electrical parts composing automation must meet the requirements of the standards in force and outlined by CE marking.



An omnipolar switch/section switch with remote contact opening equal to, or higher than 3mm must be provided on the power supply mains.

Make sure that before wiring an adequate differential switch and an overcurrent protection is provided.

Pursuant to safety regulations in force, some types of installation require that the gate connection be earthed.

During installation, maintenance and repair, cut off power supply before accessing to live parts.

Also disconnect buffer batteries, if any are connected.

The electrical installation and the operating logic must comply with the regulations in force.

The leads fed with different voltages must be physically separate, or they must be suitably insulated with additional insulation of at least 1 mm.

The leads must be secured with an additional fixture near the terminals.

During installation, maintenance and repair, interrupt the power supply before opening the lid to access the electrical parts

Check all the connections again before switching on the power.

The unused N.C. inputs must be bridged.



WASTE DISPOSAL

As indicated by the symbol shown, it is forbidden to dispose this product as normal urban waste as some parts might be harmful for environment and human health, if they are disposed of incorrectly. Therefore, the device should be disposed in special collection platforms or given back to the reseller if a new and similar device is purchased. An incorrect disposal of the device will result in fines applied to the user, as provided for by regulations in force.

Descriptions and figures in this manual are not binding. While leaving the essential characteristics of the product unchanged, the manufacturer reserves the right to modify the same under the technical, design or commercial point of view without necessarily update this manual.

BRAINY CONTROL UNIT

INPUT/OUTPUT FUNCTIONS

N° Terminals	Function	Description
1-2-3	Power supply	Input 230Vac 50Hz (1-GND/2-Phase/3-Neutral)
4-5-6	Motor 1	Connection of motor 1: (4-start/5-Com/6-start)
7-8-9	Motor 2	Connection of motor 2: (7-start/8-Com/9-start)
10-11	Blinking light	Connection of blinking light 230Vac 40W max.
12-13	TLS	N.O. clean contact (230V/16A max) for courtesy light, timer, etc. The activation time is regulated by the parameter TLS
14-15	24 Vac	Accessories power supply output 24Vac/1A max.
16-17	Lock 12Vdc	Accessories power supply output 12Vac/10W for electric lock (16:0V, 17:+12V)
18-19	AUX1	Normally Open clean contact, configurable as SCA- open gate light (default) or photocell test.
20-21	EDGE	Input, sensitive edge contact Resistive edge: "DAS" Jumper closed Mechanical edge: "DAS" Jumper open When the edge is activated, the gate movement is stopped and reversed for about 3s.
22	SWO-M1	OPEN limit switch input motor 1 (N.C contact.)
23	SWC-M1	CLOSE limit switch input motor 1 (N.C. contact)
24	SWO-M2	OPEN limit switch input motor 2 (N.C. contact)
25	SWC-M2	CLOSE limit switch input motor 2 (N.C. contact)
26-27	COM	Common for limit switch and all the control inputs.
28	Step-by-Step	Step-by-Step button input (N.O. contact)
29	PED	Pedestrian button input (N.O. contact)
30	OPEN	Input, OPEN push-button (Normally open contact). It is possible to connect a timer for opening in time slots.
31	CLOSE	CLOSE button input (N.O. contact)
32	PHOT	Active photocell input on opening and closing
33	PHOT CLOSE	Active photocell input only on closing
34	STOP	STOP button input (N.C. contact)
35-36	Antenna	Antenna connection for plug-in radio receiver board (35-screen/36-signal).
37-38	AUX2	Voltage-free Normally Open Contact. Configurable as second radio channel (default) or SCA-open gate LED.
J3	Radio	Plug-in connector for radio receiver.

The control unit is equipped with an built-in radio module for the reception of variable code controls, with ARC (Advanced Rolling-Code) or fixed code, 433.92 MHz frequency.

NOTES

The EDGE must be connected exclusively to the special inputs 20/21. Two types of EDGE may be used:

If an edge with resistance 8K2 is used, close the Jumper "DAS".

If a mechanical edge with N.C. contact is used, open the Jumper "DAS".

If the edge is not used, bridge the terminals 20-21 and open the Jumper "DAS".

TO CHECK CONNECTIONS:

- 1) Cut-off power supply.
- 2) Manually release the wings, move them to approx. half-stroke and lock them again.
- 3) Reset power supply.
- 4) Send a step-by-step control signal by pressing the button or the remote control key.
- 5) The wings should start an opening movement.
If this is not the case, invert the movement wires of the motor. (4<>6 for motor M1, and 7<>9 for motor M2) and the relevant limit switch inputs (22<>23 for motor M1, and 24<>25 for motor M2).

PROGRAMMING

The programming of the various functions of the control unit is carried out using the LCD display on the control unit and setting the desired values in the programming menus described below.

The parameters menu allows you to assign a numerical value to a function, in the same way as a regulating trimmer.

The logic menu allows you to activate or deactivate a function, in the same way as setting a dip-switch.

Other special functions follow the parameters and logic menus and may vary depending on the type of control unit or the software release.

TO ACCESS PROGRAMMING

- 1 – Press the button <PG>, the display goes to the first menu, Parameters “PAR”.
- 2 – With the <+> or <-> button, select the menu you want.
- 3- Press the button <PG>, the display shows the first function available on the menu.
- 4 - With the <+> or <-> button, select the function you want.
- 5 - Press the button <PG>, the display shows the value currently set for the function selected.
- 6 - With the <+> or <-> button, select the value you intend to assign to the function.
- 7 - Press the button <PG>, the display shows the signal “PRG” which indicates that programming has been completed.

NOTES

Pressing <-> with the display turned off means an impulse of P.P.

Simultaneously pressing <+> and <-> from inside a function menu allows you to return to the previous menu without making any changes.

Hold down the <+> key or the <-> key to accelerate the increase/decrease of the values.

After waiting 30s the control unit quits programming mode and switches off the display.

PARAMETERS, LOGIC AND SPECIAL FUNCTIONS

The tables below describe the individual functions available in the control unit.

PARAMETERS (PAR)			
MENU	FUNCTION	MIN-MAX- (Default)	MEMO
<i>t_{cA}</i>	Automatic closing time. Active only with logic “TCA”=ON. At the end of the set time the control unit orders a closing manoeuvre.	1-240-(40s)	
<i>t_{M1}</i>	Motor 1 work time. Regulates the maximum duration of the opening and closing manoeuvre of the motor 1. It must be set about 4 sec. longer than the actual travel time of the automatism.	5-180-(24s)	
<i>t_{M2}</i>	Motor 2 work time. Regulates the maximum duration of the opening and closing manoeuvre of the motor 2. It must be set about 4 sec. longer than the actual travel time of the automatism.	5-180-(24s)	
<i>t_{PEd}</i>	The operating time for partial opening (pedestrian) is adjusted on motor 1. With ENC.: ON, the value is the opening percentage over the total stroke memorised during self-setting. With ENC.: OFF, the value is the opening percentage over the time preset in TM1 parameter.	1-99-(50%)	
<i>P_{M1}</i>	The torque applied to motor 1 in the OPENING* phase is adjusted.	1-99-(40%)	
<i>P_{M1c}</i>	The torque applied to motor 1 in the CLOSING* phase is adjusted.	1-99-(40%)	
<i>P_{M2}</i>	The torque applied to motor 2 in the OPENING* phase is adjusted.	1-99-(40%)	
<i>P_{M2c}</i>	The torque applied to motor 2 in the CLOSING* phase is adjusted.	1-99-(40%)	
<i>t_{dM2}</i>	Mot.2 opening delay time. Regulates the delay time of motor 2 on opening with respect to motor 1	0-15-(2s)	
<i>t_{dM1c}</i>	Mot.1 closing delay time Regulates the delay time of motor 1 on closing with respect to motor 2	0-40-(3s)	
<i>t_{LS}</i>	TLS contact activation time. At each manoeuvre the contact closes for the set time.	1-240-(60s)	
<i>t_{Loc}</i>	Electric lock activation time. If the electric lock is not used, set the parameter at 0.	0-5-(3s)	
<i>t_{S_{M1}}</i>	Motor 1 slowing time Regulates the duration of the slowing phase of motor 1 on opening and closing. Value is calculated as a percentage on the space covered during the complete operation. 0 = slowing time disabled.	0-99-(0%)	
<i>t_{S_{M2}}</i>	Motor 2 slowing time Regulates the duration of the slowing phase of motor 2 on opening and closing. Value is calculated as a percentage on the space covered during the complete operation. 0 = slowing time disabled.	0-99-(0%)	
<i>P_{S_{M1}}</i>	The torque applied to motor 1 during braking in the opening phase is adjusted *	1-99-(70%)	
<i>P_{S_{M1c}}</i>	The torque applied to motor 1 during braking in the closing phase is adjusted *	1-99-(70%)	
<i>P_{S_{M2}}</i>	The torque applied to motor 2 during braking in the opening phase is adjusted *	1-99-(70%)	

PS_{c2}	The torque applied to motor 2 during braking in the closing phase is adjusted *	1-99-(70%)	
SEAU	The intervention threshold of the anti-crashing device (Encoder) during the phase at normal speed is adjusted.* 0:Off-1:minimum sensitivity - 99: maximum sensitivity	0-99-(0%)	
SEAr	The intervention threshold of the anti-crashing device (Encoder) during braking is adjusted *. 0:Off-1:minimum sensitivity - 99: maximum sensitivity	0-99-(0%)	
t_{inc}	This parameter is enabled only for motors equipped with Encoder. The encoder inhibition is regulated near the opening and closing mechanical stoppers. 1: minimum distance – 250: maximum distance	1-250-(250)	
** WARNING: AN INCORRECT SETTING OF THESE PARAMETERS MAY RESULT IN A DANGER. COMPLY WITH REGULATIONS IN FORCE!			

LOGIC (L o U)			
MENU	FUNCTION	ON-OFF-(Default)	MEMO
t_{cA}	Enables or disables automatic closing On: automatic closing enabled Off: automatic closing disabled	(ON)	
ibL	Enables or disables condominium function. Off: condominium function disabled. On: condominium function enabled. The step-by-step impulse or transmitter impulse has no effect during the opening phase.	(OFF)	
ibcA	During the TCA phase, the PP controls are enabled or disabled. On: PP controls are disabled. Off: PP controls are enabled.	(OFF)	
S_{cL}	Enables or disables rapid closing On: rapid closing enabled. With the gate open or in the opening phase the intervention of the photocell causes automatic closing after 3 s. Active only with TCA:ON. Off: rapid closing disabled.	(OFF)	
PP	Selects the operating mode of the "Step by step button" and of the transmitter. On: Operation: OPEN > CLOSE > OPEN > Off: Operation: OPEN > STOP > CLOSE > STOP >	(OFF)	
PrE	Enables or disables pre-blinking. On: Pre-blinking enabled. Blinking is activated 3s before the motor starts. Off: Pre-blinking disabled.	(OFF)	
hAn	Enables or disables the inversion stroke function On: Function enabled. Before each opening manoeuvre the control unit orders a manoeuvre of 2s in the opposite direction to facilitate the release of the electric lock. Off: Function disabled.	(OFF)	
bLc	Enables or disables the block maintaining function. Recommended for hydraulic motors to keep the leaf resting against the mechanical stop block. On: Block maintaining function enabled. Every 2 hours the control unit makes a closing manoeuvre with a duration of about 3s to keep the leaf in contact. Off: Block maintaining function disabled.	(OFF)	
SPn	Enables or disables starting torque function. On: Starting torque enabled. At the start of each manoeuvre for 2s the motor operates at maximum torque. Off: Starting torque disabled.	(ON)	
Lt_{cA}	Selects the operating mode of the blinking light during the time TCA On: Blinking light on during TCA Off: Blinking light off during TCA	(OFF)	
htr	Enables or disables Man present function. On: Man Present operation. The OPEN/CLOSE buttons must be held down during the whole manoeuvre. Off: Automatic operation.	(OFF)	

<i>mot</i>	Select the 1/2 motors operating mode: On: only one motor (motor 1) active. Function to be used in the following cases: - for single motor, to connect M1:4-5-6. - for two synchronized motors (for instance overhead door), to connect M1:4-5-6 and M2:7-8-9. You need to regulate the parameters related to the motor 1, the limit switch entries M2 are disarmed (not activate). Off: Both motors operating.	(OFF)	
<i>not</i>	The calculation of residual operating time is activated or deactivated in the event of partial operations: On: Calculation of deactivated time. In case of partial operations, the operating time is reset. The following operation restarts for the entire time preset by parameter TM1/TM2. Off: Calculation of activated time. In case of partial operations, the operating time is stored in memory and then subtracted from the TM1/TM2 parameter value in the following operation.	(ON)	
<i>Enc</i>	The Encoder is enabled or disabled. See section “ TYPES OF INSTALLATIONS” On: Encoder enabled – The anti-crash sensor is activated. Off: Encoder disabled – The anti-crash sensor is deactivated.	(OFF)	
<i>cuAr</i>	Enables or disables the programmable code transmitters. IMPORTANT: The transmitters with programmable code can only be used in conjunction with the Rolling Code HCS transmitters. On: Radio receiver enabled only for transmitters Rolling Code (ARC or HCS, the first transmitter sets the operating mode). Off: Receiver enabled for transmitters Rolling Code HCS and programmable (self-learning and dip/switch).	(ON)	
<i>nlOc</i>	Selects the type of electric lock used. On: Magnetic electric lock, normally fed at 12Vdc. Before each opening manoeuvre the power supply is interrupted for the time set by the parameter TLOC. Off: Electric lock with latch, normally not fed. Before each opening manoeuvre power is fed at 12Vdc for the time set by the parameter TLOC.	(OFF)	
<i>trH</i>	The check for integrity of TRIAC is enabled or disabled. On: Activated check: if TRAC is faulty, the motor does not start. Off: the TRIAC is not checked.	(OFF)	
<i>tSt1</i>	The test of photocells to PHOT O input is enabled or disabled. On: Test is enabled. If the test is negative, no operation is performed. See Fig.1 “PHOTO TEST”. Off: Test is disabled.	(OFF)	
<i>tSt2</i>	The test of photocells to PHOT C input is enabled or disabled. On: Test is enabled. If the test is negative, no operation is performed. See Fig.1 “PHOTO TEST”. Off: Test is disabled.	(OFF)	
<i>zch</i>	Configuration, AUX2 output. On: AUX2 Output, preset as open gate light. See “SCA” figure. Light switched on with open gate, fast flashing during closure, slow flashing during opening, light off with closed gate. Off: AUX2 output, preset as second radio channel of the built-in receiver.	(OFF)	
<i>bb</i>	The thrust function in the closing phase is activated or deactivated by this logic. On: the operation in the closing phase is carried out at normal speed during the last second (braking is disabled). In this way, a better hooking of the electric lock is performed. Off: disabled function.	(OFF)	
<i>horA</i>	The automatic switching is activated/deactivated in Service Man mode. On: If the sensitive edge remains activated for at least 10 seconds with open or closed gate, the control unit automatically switches to Service man mode. Off: Disabled function.	(OFF)	
<i>rEn</i>	The remote storage of the radio transmitter codes is enabled or disabled (see par. REMOTE LEARNING). On: Enabled remote storage Off: Disabled remote storage.	(ON)	

RADIO (rRd)	
MENU	FUNZIONE
PP	By selecting this function, the receiver is waiting for (Push) a transmitter code to be assigned to the step-by-step function. Press the transmitter key, which is to be assigned to this function. If the code is valid, it will be stored in memory and OK will be displayed. If the code is not valid, the Err message will be displayed.
2ch	By selecting this function, the receiver is waiting for (Push) a transmitter code to be assigned to the second radio channel. Press the transmitter key, which is to be assigned to this function. If the code is valid, it will be stored in memory and OK will be displayed. If the code is not valid, the Err message will be displayed.
PEd	When this function is selected, the receiver awaits (Push) a transmitter code to be assigned to the pedestrian opening function (see TPED parameter). Press the transmitter key, which is to be assigned to this function. If the code is valid, it will be stored in memory and OK will be displayed. If the code is not valid, the Err message will be displayed.
cLr	By selecting this function, the receiver is waiting for (Push) a transmitter code to be erased from memory. If the code is valid, it will be stored in memory and OK will be displayed. If the code is not valid, the Err message will be displayed.
rEr	The memory of the receiver is entirely erased. Confirmation for the operation is asked. By selecting this function, the receiver waits for (Push) the GPM key to be pressed again to confirm the operation. At end of erasing, the OK message is displayed

Note: The transmitters are stored in an EPROM memory (Fig.1 -U11), which can be removed and repositioned in a new control unit, it required.

AUTOSET (AUtO)
The control unit performs a series of operations for the learning of the door leaf stroke. Initially, both leaves are moved to closed position, then, after one, or both leaves, has carried out some opening and closing operations with different speeds, the working OK is displayed on the control unit. If this operation is not successful, the message ERR is displayed. After checking both cables and the presence of obstacles again, repeat the operation.

CYCLES NUMBER (nNn)
Displays the number of complete cycles (open+close) carried out by the automation. When the <PG> button is pressed for the first time, it displays the first 4 figures, the second time it shows the last 4. Example <PG> 00 12 >>> <PG> 3456: made 123.456 cycles.

MAINTENANCE CYCLES (MRC I)
This function enables to activate the maintenance request notice after a number of manoeuvres determined by the installer. To activate and select the number of manoeuvres, proceed as follows: Press button <PG>, the display will show OFF, which indicated that the function is disabled (default value). With the buttons <+> and <-> select one of the numeric values proposed (from OFF to 100). The values are intended as hundreds of cycles of manoeuvres (for example: the value 50 indicates 5000 manoeuvres). Press the OK button to activate the function. The display will show the message <i>Pr oG</i> . The maintenance request is indicated to the user by keeping the indicator lamp lit up for other 10 sec after the conclusion of the opening or closing operation.

RESET (rE5)
RESET of the control unit. ATTENTION!: Returns the control unit to the default values. Pressing the <PG> button for the first time causes blinking of the letters <i>rE5</i> , pressing the <PG> button again resets the control unit. Note: The transmitters are not erased from the receiver nor is the access password. All the logics and all the parameters are brought back to default values, it is therefore necessary to repeat the autaset procedure.

PROTECTION CODE (codE)

It allows to type in an access protection code to the programming of the control unit.

A four-character alphanumeric code can be typed in by using the numbers from 0 to 9 and the letters A-B-C-D-E-F.

The default value is 0000 (four zeros) and shows the absence of a protection code.

While typing in the code, this operation can be cancelled at any moment by pressing keys + and – simultaneously. Once the password is typed in, it is possible to act on the control unit by entering and exiting the programming mode for around 10 minutes in order to allow adjustments and tests on functions.

By replacing the 0000 code with any other code, the protection of the control unit is enabled, thus preventing the access to any other menu. If a protection code is to be typed in, proceed as follows:

- select the Code menu and press OK.
- the code 0000 is shown, also in the case a protection code has been previously typed in.
- the value of the flashing character can be changed with keys + and -.
- press OK to confirm the flashing character, then confirm the following one.
- after typing in the 4 characters, a confirmation message “CONF” appears.
- after a few seconds, the code 0000 appears again
- the previously stored protection code must be reconfirmed in order to avoid any accidental typing in.

If the code corresponds to the previous one, a confirmation message “oH” appears.

The control unit automatically exits the programming phase. To gain access to the Menus again, the stored protection code must be typed in.

IMPORTANT: TAKE NOTE of the protection code and KEEP IT IN A SAFE PLACE for future maintenance operations.

To remove a code from a protected control unit it is necessary to enter into programming with the password and bring the code back to the 0000 default value.

IF YOU LOOSE THE CODE, PLEASE CONTACT THE AUTHORISED SERVICE CENTER FOR THE TOTAL RESET OF THE CONTROL UNIT.

ARC COMPATIBLE CONTROL UNIT

IMPORTANT, PLEASE READ CAREFULLY:

The radio receiver in this product is compatible with the new ARC (Advanced Rolling Code) transmitters which, thanks to 128-bit encryption ensure superior copy-security.

Storing new ARC transmitters is quite similar to that of normal rolling code transmitters with HCS coding, but be aware that:

- 1) ARC transmitters and Rolling Code HCS can not be stored in a single receiver.
- 2) The first transmitter memorized determines the type of transmitters to be used later. If the first transmitter memorized is ARC, you can not store Rolling code HCS transmitters, and vice versa.
- 3) Fixed code transmitters may only be used in conjunction with Rolling code HCS transmitters, bringing the logic CVAR OFF. They are, therefore, not usable in combination with the ARC transmitters. If the first rolling code transmitter stored is an ARC CVAR the logic is inoperative.
- 4) If you want to change the type of transmitters it is necessary to proceed with a receiver reset.

BRAKING

With the ENC=OFF logics, braking is given by the TSM1/TSM2 parameter value referred to the TM1/TM2 operating time. For example, if the operation of motor 1 lasts 20 seconds and TM1=24s and TSM1=8 are preset, 4 s braking will result (20-(24-8)).

With ENC=ON logics, braking is calculated as a percentage on the space covered during the complete operation. If, for example, TSM1=20, 20% of the operation will be slow down.

FUSES

F1: F6.3A (230VAC) / F10A (115VAC) – Motor protection

F2: T315mA (230VAC) – T500mA (115VAC) – Protection for primary transformer

TRANSMITTER REMOTE LEARNING

If the transmitter code is already stored in the receiver, the remote radio learning can be carried out (without accessing the control unit).

IMPORTANT: The procedure should be carried out with gate in the opening phase, during the TCA dwell time.

Proceed as follows:

- 1 Press the hidden key of the transmitter, the code of which has already been stored in memory.
- 2 Within 5 seconds, press the already memorised transmitter key corresponding to the channel to be matched to the new transmitter. The flashing light switches on.
- 3 Within 10 seconds, press the hidden key of the new transmitter.
- 4 Within 5 seconds, press the key of the new transmitter to be matched to the channel selected at item 2. The flashing light switches off.
- 5 The receiver stores the new transmitter code and exits from the programming mode immediately.

TYPES OF INSTALLATION

AUTOMATIC SYSTEM WITH ENCODER

Start a self-test operation, as indicated in the AUTO Menu.

At completion of the self-learning, the value of all torques and the TDMO/TDMC value are preset by the control unit.

If an obstacle is present, the Encoder acts as anti-crash sensor. Its sensitivity is adjusted by SEAV and SEAR parameters.

AUTOMATIC SYSTEM WITH ELECTROMECHANIC LIMIT SWITCHES

In this operating mode, the NOT=ON logics and the ENC=OFF logics must be preset.

All parameters must be preset manually. In particular, values of TM1/TM2 must be some seconds higher than the actual operating time.

AUTOMATIC SYSTEM WITH ELECTROMECHANIC LIMIT SWITCHES AND WITHOUT ENCODER

In this operating mode, the NOT=OFF logics and the ENC=OFF logics must be preset.

All parameters must be preset manually. In particular, values of TM1/TM2 must be some seconds higher than the actual operating time.

ERROR MESSAGES

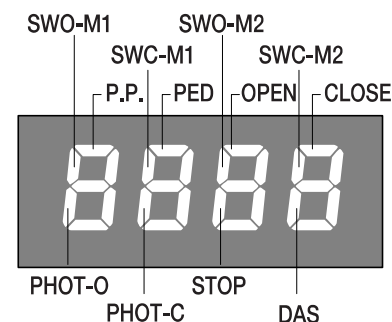
Some messages that are displayed in the event of malfunctions are shown hereunder:

<i>Enc 1</i>	Error, motor 1 encoder	Check the connection to motor 1 encoder
<i>Enc 2</i>	Error, motor 2 encoder	Check the connection to motor 2 encoder
<i>RNP 1</i>	Error, motor 1 obstacle	Check the presence of obstacles on the motor 1 leaf stroke
<i>RNP 2</i>	Error, motor 2 obstacle	Check the presence of obstacles on the motor 2 leaf stroke
<i>Err 1</i>	Error, check motor 1 circuit	Check connections to motor 1
<i>Err 2</i>	Error, check motor 2 circuit	Check connections to motor 2
<i>Err 3</i>	Error, check actiation relay	Ask for technical assistance
<i>Err 4</i>	Error, check PHOTA photocell	Check connections, alignment of PHOT A photocell or obstacle present.
<i>Err 5</i>	Error, check PHOTC photocell	Check connections, alignment of PHOT C photocell or obstacle present.
<i>Err 6</i>	Error, activated sensitive edge (during self-set)	During self-setting, the safety edge was activated.
<i>Err 7</i>	Error, activated stop (during self-test)	During self-setting, the STOP input was activated.
<i>Err 8</i>	Error, activated input (during self-test)	During self-setting, a Start/Pedestrian/Open/Close input was activated.

DIAGNOSTICS

In the event of malfunctions, by pressing key + or - the status of all inputs (limit switches, control and safety) can be displayed. One segment of the display is linked to each input.

In the event of failure it switches on according to the following scheme.



TECHNICAL DATA

Mains power supply	230 VAC 50/60 Hz (115VAC 50/60 Hz for BRAINY 115)
Output, Motor	1/2 motor, 230Vac (1/2 motors 115 Vac for BRAINY 115)
Motor maximum power	600W + 600W
Output, power supply of accessories	24VAC 1A max.
Protection level	IP54
Operating temperature	-20°C / +60°C
Radio receiver	433,92 MHz, incorporated and configurable
No. of codes storable in memory	64

Dichiarazione di Conformità UE (DoC)

Nome del produttore: **Automatismi Benincà SpA**
Indirizzo: **Via Capitello, 45 - 36066 Sandrigo (VI) - Italia**
Telefono: **+39 0444 751030**
Indirizzo e-mail: **sales@beninca.it**

Persona autorizzata a costruire la documentazione tecnica:
Automatismi Benincà SpA

Tipo di prodotto: **Centrale di comando per 1/2 motori 230 Vac**
Modello/Tipo: **BRAINY** Accessori: **N/A**

Il sottoscritto Luigi Benincà, in qualità di Responsabile Legale, dichiara sotto la propria responsabilità che il prodotto sopraindicato risulta conforme alle disposizioni imposte dalle seguenti direttive:

Direttiva 2014/30/UE del Parlamento europeo e del Consiglio, del 26 febbraio 2014, concernente l'armonizzazione delle legislazioni degli Stati membri relative alla compatibilità elettromagnetica (**EMCD**), secondo le seguenti norme armonizzate:
EN 61000-6-2:2005, EN 61000-6-3:2007.

Direttiva 2011/65/UE del Parlamento europeo e del Consiglio, dell'8 giugno 2011, sulla restrizione dell'uso di determinate sostanze pericolose nelle apparecchiature elettriche ed elettroniche (**RoHS**), secondo le seguenti norme armonizzate:
EN 50581:2012

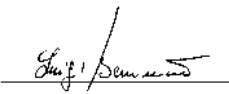
Direttiva 2014/35/EU DEL PARLAMENTO EUROPEO E DEL CONSIGLIO del 26 febbraio 2014 concernente l'armonizzazione delle legislazioni degli Stati membri relative alla messa a disposizione sul mercato del materiale elettrico destinato ad essere adoperato entro taluni limiti di tensione (LVD), secondo le seguenti norme armonizzate:
EN 60335-1:2012 + A11:2014; EN 60335-2-103:2015.

Direttiva 2014/53/UE DEL PARLAMENTO EUROPEO E DEL CONSIGLIO del 16 aprile 2014 concernente l'armonizzazione delle legislazioni degli Stati membri relative alla messa a disposizione sul mercato di apparecchiature radio (**RED**) e che abroga la direttiva 1999/5/CE.

Il Certificato di Conformità di questo documento corrisponde all'ultima revisione disponibile al momento della stampa e può risultare differente per esigenze editoriali dall'originale disponibile presso il produttore.

Il Certificato di Conformità più completo e recente è disponibile consultando il sito: www.beninca.com oppure può essere richiesto presso: Automatismi Benincà S.p.A - Sandrigo VI - Italy.

Benincà Luigi, Responsabile legale.
Sandrigo, 06/09/2016.



UE Declaration of Conformity (DoC)

Manufacturer's name: **Automatismi Benincà SpA**
Address: **Via Capitello, 45 - 36066 Sandrigo (VI) - Italia**
Telephone: **+39 0444 751030**
Email address: **sales@beninca.it**

Person authorised to draft the technical documentation:
Automatismi Benincà SpA

Product type: **Control box for 1/2 motors 230 Vac**
Model/type: **BRAINY** Accessories: **N/A**

The undersigned Luigi Benincà, as the Legal Officer, declares under his liability that the aforementioned product complies with the provisions established by the following directives:

Directive 2014/30/UE OF THE EUROPEAN PARLIAMENT AND OF THE COUNCIL of 26 February 2014, on the harmonisation of the laws of Member States relating to electromagnetic compatibility, according to the following harmonised regulations:
EN 61000-6-2:2005, EN 61000-6-3:2007 + A1:2011.

Directive 2011/65/EU of the European Parliament and Council, dated 8 June 2011, on the restricted use of certain hazardous substances in electrical and electronic devices (**RoHS**), according to the following standards:
EN 50581:2012

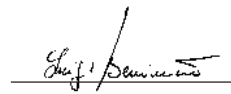
Directive 2014/35/UE OF THE EUROPEAN PARLIAMENT AND OF THE COUNCIL of 26 February 2014, on the harmonisation of the laws of Member States relating to electrical equipment designed for use with certain voltage limits, according to the following harmonised regulations:
EN 60335-1:2012 + A11:2014; EN 60335-2-103:2015.

Directive 2014/53/EU OF THE EUROPEAN PARLIAMENT+ A1:G4 AND COUNCIL dated 16 April 2014 on the standardisation of legislation in the member states relating to availability on the market of radio equipment (**RED**) and which annuls the directive 1999/5/EC.

The certificate of conformity in this document corresponds to the last review available at the time of printing and could differ for editorial requirements from the original available from the manufacturer.

The most recent and complete certificate of conformity is available consulting the site: www.beninca.com or can be requested from: Automatismi Benincà SpA - Sandrigo VI - ITALY.

Benincà Luigi, Legal Officer.
Sandrigo, 06/09/2016.



EG-Konformitätserklärung (DoC)

Name des Herstellers: **Automatismi Benincà SpA**
Adresse: **Via Capitello, 45 - 36066 Sandrigo (VI) - Italia**
Telefon: **+39 0444 751030**
E-Mail-Adresse: **sales@beninca.it**

Zur Erstellung der technischen Dokumentation berechnete Person:
Automatismi Benincà SpA
Produkttypus: **Steuerung für 1/2 Motoren 230 Vac.**
Modell/Typus: **BRAINY** Zubehör: **N/A**

Der Unterzeichnete Luigi Benincà, in seiner Eigenschaft als Rechtsvertreter, erklärt eigenverantwortlich, dass das oben angegebene Produkt den durch die folgenden Richtlinien vorgegebene Bestimmungen entspricht:

Richtlinie 2014/30/UE DES EUROPÄISCHEN PARLAMENTS UND DES RATES vom 26. Februar 2014 zur Angleichung der Rechtsvorschriften der Mitgliedstaaten über die elektromagnetische Verträglichkeit, gemäß nachstehenden Normen:
EN 61000-6-2:2005, EN 61000-6-3:2007 + A1:2011.

Richtlinie 2011/65/EU des Europäischen Parlaments und des Rates vom 8. Juni 2011 zur Beschränkung der Verwendung bestimmter gefährlicher Stoffe in Elektro- und Elektronikgeräten (**RoHS**), gemäß den folgenden harmonisierten Normen:
EN 50581:2012

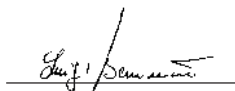
Richtlinie 2014/35/UE DES EUROPÄISCHEN PARLAMENTS UND DES RATES vom 26. Februar 2014 zur Angleichung der Rechtsvorschriften der Mitgliedstaaten betreffend elektrische Betriebsmittel zur Verwendung innerhalb bestimmter Spannungsgrenzen, gemäß nachstehenden Normen:
EN 60335-1:2012 + A11:2014; EN 60335-2-103:2015.

Richtlinie 2014/53/EU DES EUROPÄISCHEN PARLAMENTS UND DES RATES vom 16. April 2014 über die Harmonisierung der Rechtsvorschriften der Mitgliedstaaten über die Bereitstellung von Funkanlagen (**RED**) auf dem Markt und zur Aufhebung der Richtlinie 1999/5/EG

Die in diesem Dokument vorliegende Konformitätserklärung entspricht der neuesten zum Druckzeitpunkt erhältlichen Revision und könnte aufgrund von verlegerischen Gründen vom beim Hersteller erhältlichen Original abweichen.

Die neueste und vollständigste Konformitätserklärung ist auf der Internetseite: www.beninca.com erhältlich oder kann bei folgender Adresse angefordert werden: Automatismi Benincà SpA - Sandrigo VI - ITALY.

Benincà Luigi, Rechtsvertreter.
Sandrigo, 06/09/2016.



Déclaration CE de conformité (DoC)

Nom du producteur : **Automatismi Benincà SpA**
Adresse : **Via Capitello, 45 - 36066 Sandrigo (VI) - Italia**
Téléphone : **+39 0444 751030**
Adresse e-mail: **sales@beninca.it**

Personne autorisée à construire la documentation technique:
Automatismi Benincà SpA
Type de produit : **Centrale de commande pour 1/2 moteurs 230 Vac**
Modèle/Type: **BRAINY** Accessoires : **N/A**

Le soussigné Luigi Benincà, en sa qualité de Représentant Légal, déclare sous sa propre responsabilité que le produit indiqué ci-dessus est conforme aux dispositions imposées par les directives suivantes:

DIRECTIVE 2014/30/UE DU PARLEMENT EUROPÉEN ET DU CONSEIL du 26 février 2014 concernant le rapprochement des législations des États membres relatives à la compatibilité électromagnétique, selon les suivantes normes harmonisées:
EN 61000-6-2:2005, EN 61000-6-3:2007 + A1:2011.

Directive 2011/65/UE du Parlement européen et du Conseil, du 8 juin 2011, sur la restriction à l'usage de substances dangereuses déterminées dans les appareils électriques et électroniques (**RoHS**), selon les normes harmonisées suivantes :
EN 50581:2012

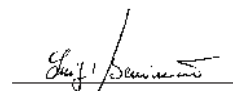
Directive 2014/35/UE DU PARLEMENT EUROPÉEN ET DU CONSEIL du 26 février 2014 concernant le rapprochement des législations des États membres relatives au matériel électrique destiné à être employé dans certaines limites de tension, selon les suivantes normes harmonisées:
EN 60335-1:2012 + A11:2014; EN 60335-2-103:2015.

Directive 2014/53/UE DU PARLEMENT EUROPEEN +A1:G4 E DU CONSEIL du 16 avril 2014 concernant l'harmonisation des législations des États membres relatives à la mise à disposition sur le marché d'appareillages radio (**RED**) et qui abroge la directive 1999/5/CE.

Le certificat de conformité présent dans ce document correspond à la dernière révision disponible au moment de l'impression et pourrait différer pour des exigences éditoriales de l'original disponible chez le constructeur.

Le certificat de conformité le plus récent et complet est disponible en consultant le site : www.beninca.com ou peut être demandé à : Automatismi Benincà SpA - Sandrigo VI - ITALIE.

Benincà Luigi, Représentant Légal.
Sandrigo, 06/09/2016.



Declaración CE de conformidad (DoC)

Nombre del productor: **Automatismi Benincà SpA**
Dirección: **Via Capitello, 45 - 36066 Sandrigo (VI) - Italia**
Teléfono: **+39 0444 751030** Dirección de correo electrónico: **sales@beninca.it**

Persona autorizada a producir la documentación técnica:
Automatismi Benincà SpA

Tipo de producto: **Central de mando para 1/2 motor 230Vac**
Modelo/Tipo: **BRAINY** Accesorios: **N/A**

El infrascrito Luigi Benincà, en calidad de Representante Legal, declara bajo su responsabilidad que el producto anteriormente mencionado resulta en conformidad con las disposiciones establecidas por las siguientes directivas:

Directiva 2014/30/UE del parlamento europeo y del consejo del 26 de febrero de 2014 sobre la aproximación de las legislaciones de los Estados miembros con relación a la compatibilidad electromagnética, según las siguientes normas armonizadas:
EN 61000-6-2:2005, EN 61000-6-3:2007.

Directiva 2011/65/UE del Parlamento europeo e del Consejo, de 8 de junio de 2011, sobre restricciones a la utilización de determinadas sustancias peligrosas en aparatos eléctricos y electrónicos (**RoHS**), según las normas siguientes armonizadas:
EN 50581:2012

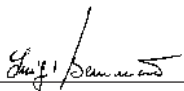
Directiva 2014/35/UE DEL PARLAMENTO EUROPEO Y DEL CONSEJO del 26 de febrero de 2014 sobre la aproximación de las legislaciones de los Estados miembros con relación al material eléctrico destinado a ser utilizado dentro de determinados límites de tensión, según las siguientes normas armonizadas:
EN 60335-1:2012 + A11:2014; EN 60335-2-103:2015.

Directiva 2014/53/UE DEL PARLAMENTO EUROPEO+A1:G4 Y DEL CONSEJO del 16 de abril de 2014 relativa a la armonización de las legislaciones de los Estados miembros relativas a la puesta a disposición en el mercado de equipos radioeléctricos (**RED**) y que abroga la directiva 1999/5/CE.

El certificado de conformidad presente en este documento corresponde a la última revisión disponible en el momento de la impresión y podría diferir por exigencias editoriales del original disponible en la sede del fabricante.

El certificado de conformidad más reciente y completo está disponible consultando el sitio: www.beninca.com o se puede solicitar a: Automatismi Benincà SpA - Sandrigo VI - ITALY.

Benincà Luigi, Representante Legal.
Sandrigo, 06/09/2016.



Deklaracja zgodności CE (DoC)

Nazwa producenta: **Automatismi Benincà SpA**
Adres: **Via Capitello, 45 - 36066 Sandrigo (VI) - Italia**
Telefon: **+39 0444 751030** Adres e-mail: **sales@beninca.it**

Osoba upoważniona do stworzenia dokumentacji technicznej:
Automatismi Benincà SpA
Rodzaj produktu: **Centralka sterowania 1/2 silnika 230Vac**
Model/Typ: **BRAINY** Akcesoria: **N/A**

Niżej podpisany/a Luigi Benincà, jako Przedstawiciel prawny, deklaruje na własną odpowiedzialność, że wskazany produkt jest zgodny z rozporządzeniami następujących dyrektyw:

Dyrektywy 2014/30/WE rady I parlamentu europejskiego z dnia 26 lutego 2014r. w sprawie zbliżania ustawodawstwa państw członkowskich w zakresie kompatybilności elektromagnetycznej, zgodnie z następującymi normami zharmonizowanymi:
EN 61000-6-2:2005, EN 61000-6-3:2007 + A1:2011.

Dyrektywa 2011/65/WE Parlamentu Europejskiego i Rady z 8 czerwca 2011 r. w sprawie ograniczenia stosowania niektórych niebezpiecznych substancji w sprzęcie elektrycznym i elektronicznym (**RoHS**), zgodnie z poniższymi normami zharmonizowanymi:
EN 50581:2012

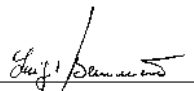
Dyrektywy 2014/35/WE RADY I PARLAMENTU EUROPEJSKIEGO z dnia 26 lutego 2014r. w sprawie zbliżania ustawodawstwa państw członkowskich w zakresie bezpieczeństwa sprzętu elektrycznego o określonych granicach napięcia, zgodnie z następującymi normami zharmonizowanymi:
EN 60335-1:2012 + A11:2014; EN 60335-2-103:2015.

Dyrektywa 2014/53/WE PARLAMENTU EUROPEJSKIEGO +A1:G4 I RADY z 16 kwietnia 2014 w sprawie harmonizacji ustawodawstw państw członkowskich dotyczących udostępniania na rynku urządzeń radiowych (**RED**) i uchylająca dyrektywę 1999/5/WE.

Certyfikat zgodności znajdujący się w niniejszym dokumencie odpowiada ostatniej aktualizacji dostępnej w momencie wydruku i może się różnić ze względów wydawniczych od oryginału dostępnego u producenta.

Najbardziej aktualny i kompletny certyfikat zgodności jest dostępny na stronie: www.beninca.com lub można się po niego zwrócić do: Automatismi Benincà SpA - Sandrigo VI - WŁOCHY.

Benincà Luigi, Przedstawiciel prawny.
Sandrigo, 06/09/2016.



BENINCA®

AUTOMATISMI BENINCÀ SpA - Via Capitello, 45 - 36066 Sandrigo (VI) - Tel. 0444 751030 r.a. - Fax 0444 759728
