



230_{VAC}

BULL8M



RESIDENTIAL USE

control unit with built-in encoder and receiver personalised release key

64

up to 800 kg



CONTROL UNITS:

BULL8M ——— CP.BULL8-OM

BULL8M.S ——— CP.BULL8-OM

BENINCA

100%
Made in Italy

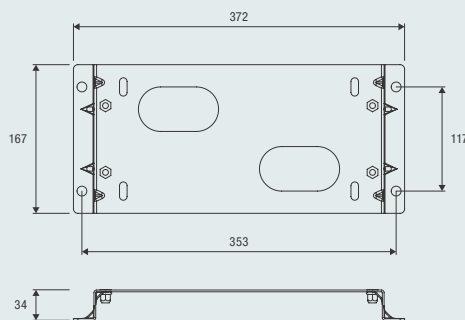
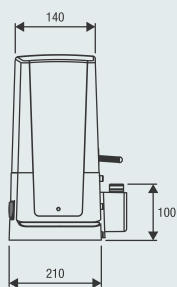
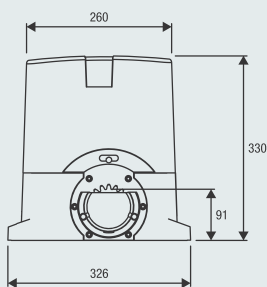


230 Vac

- Electromechanical 230 Vac geared motor with built-in control unit and encoder
- The encoder device ensures crush prevention and precision in the gate moving phases
- Metal release lever
- Version with magnetic limit switches available (BULL8M.S)

Raised foundation plate included. Height 34 mm. Floor fixing distance 353x117 mm, no. 4 Ø 11 mm, motor fixing distance 300x75 mm n.4 M8.

www.beninca.com



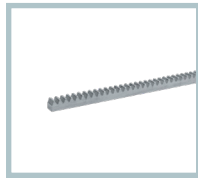
BENINCA

COMPLETE KITS

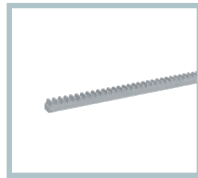
	MOTOR	PHOTOCELLS	FLASHING LIGHT	SELECTOR	TRANSMITTER
KBULL8M	1x BULL8M	1x PUPILLA.R	1x LAMPI.LED	1x TOKEY	1x TO.GO2VA



RI.M4F
M4 rack, to weld or attach with screws, 30x12x1000 mm slotted and galvanised. Supplied with M6 metric screws and threaded spacers.
Package of 4 pcs.



RI.M4Z
M4 galvanised rack to weld 22x22x2000 mm.
Package of 2 pcs.



RI.M4ZF
Galvanised slotted M4 rack 22x22x2010 mm for fastening to the side with the teeth. Supplied with M6 screws.
Package of 1 pc.



RI.M4P
Nylon rack with steel core, to attach with screws, M4, 28x40x1000 mm. Slotted, provided with self-drilling screws.
Package of 10 pcs.



BULL.P3
Raised foundation plate. Height 34 mm. Floor fixing distance 260x117 mm, no. 4 Ø 11 mm, motor fixing distance 300x75 mm n.4 M8.



SB.BULL8.F
Externally fitted anti-intrusion cable unlock device (L=4.5m).



ID.TA
Warning board.



IRI.TX4VA
4-channel transmitter with Advanced Rolling Code and Rolling Code.



IRI.TX4AK
4-channel transmitter with Advanced Rolling Code and Fixed Code.



IRI.LAMP
White full range flashing light, 20-255 VAC with built-in aerial.



IRI.KPAD
Battery operated wireless vandal-proof digital keypad with alert buzzer and backlit buttons. Triple coding: Rolling Code, Programmable Code and Advanced Rolling Code. 254 memorisable codes.



IRI.CELL
Pair of vandal-proof metal covers for PUPILLA/PUPILLA.R photocells, comprising front and rear shells with concealed screw. They can maintain perfect orientation over 180°.



PUPILLA
Pair of photocells adjustable to 180°. Option to synchronise up to 4 pairs, 24 VAC/DC power supply. Easy adjustment through a LED that signals optimal alignment. Compact size: 36x110x35 mm



DA.2S
Electronic board that allows synchronised movement of 2 automation devices (opposed sliding gates).

AUTOMATISMI BENINCÀ SpA • Via del Capitello, 45 • 36066 Sandrigo (VI) ITALY • T +39 0444 751030 • sales@beninca.com

TECHNICAL DATA	BULL8M*	BULL8M.S*
Power supply	230 Vac (50-60Hz)	230 Vac (50-60Hz)
Motor supply	230 Vac	230 Vac
Max absorbed current	2.6 A	2.6 A
Max Thrust	940 N	940 N
Opening speed	10.5 m/min	10.5 m/min
Duty cycle	30%	30%
Protection level	IP44	IP44
Magnetic limit switches	NO	YES
Operating temperature	-20°C /+50°C	-20°C /+50°C
Max gate weight	800 kg	800 kg
Driving gear for rack	M4 Z18	M4 Z18
Weight	13.6 kg	13.7 kg
Items no. per pallet	40	40
Kit weight	14.5 kg	---
Kits no. per pallet	40	---

* Available in 115 VAC version